

DAV PUBLIC SCHOOL, NABINAGAR
HA for Summer Vacation (2018-19)



Sub :- English

Std.- LKG

1. See and write.

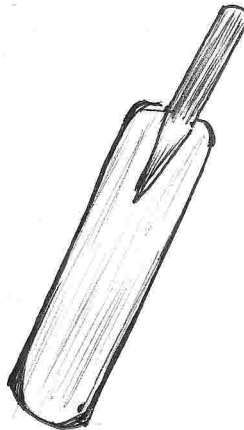
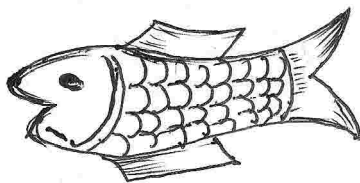
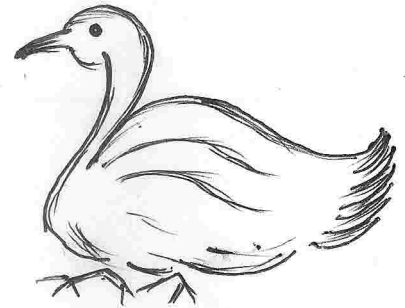
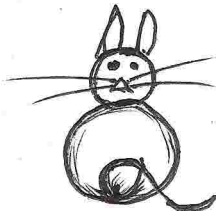
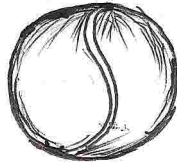
A B C D E F G H I J K L M

.....

N O P Q R S T U V W X Y Z

.....

2. Write the first letter according to the picture.



3. See and write.

a

b

c

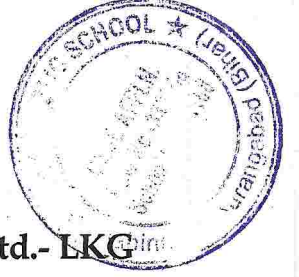
d

e

f

g

DAV PUBLIC SCHOOL, NABINAGAR
HA for Summer Vacation (2018-19)



Sub :- Hindi

Std.- LKG

1. क से ण तक लिखें।

.....
.....
.....

2. देख कर लिखें।

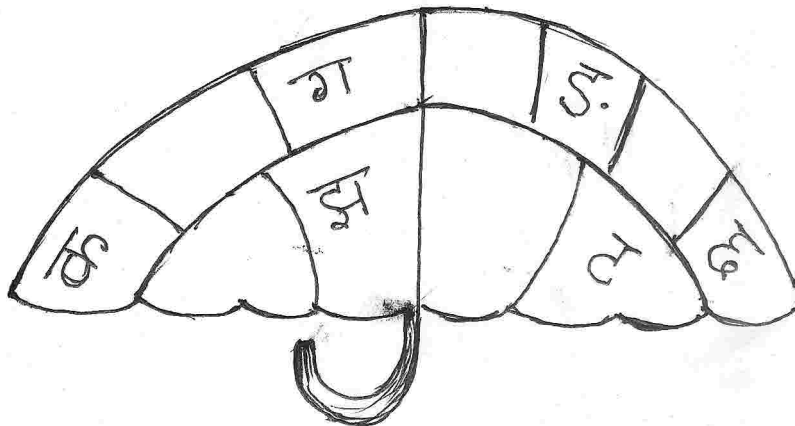
अ आ इ ई उ ऊ ऋ

.....

ए ऐ ओ औ अं अः

.....

3. रिक्त स्थानों को भरें।



DAV PUBLIC SCHOOL, NABINAGAR
HA for Summer Vacation (2018-19)



Sub :- Maths

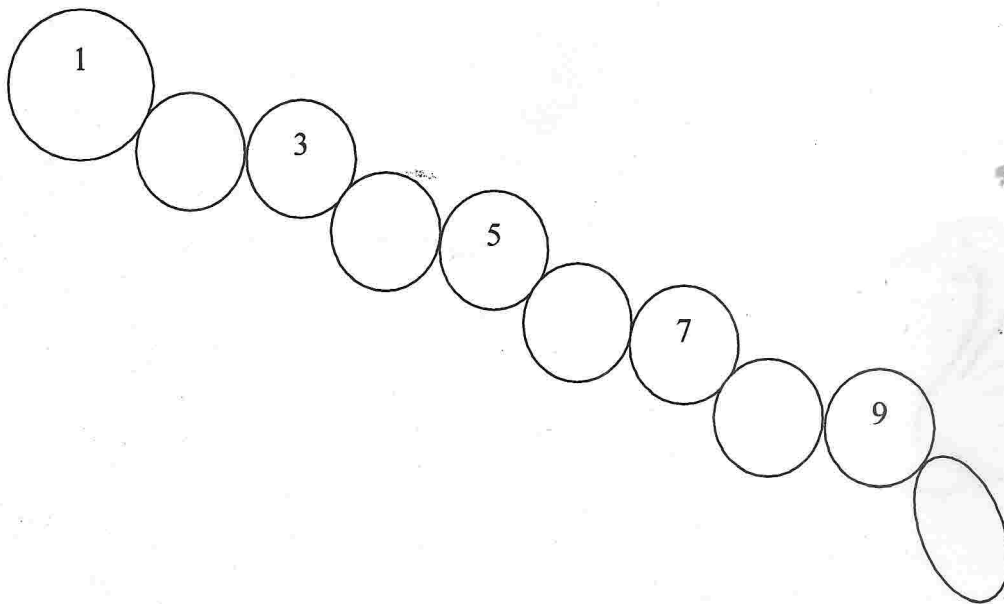
Std.- LKG

1. Write counting number 1 to 20.

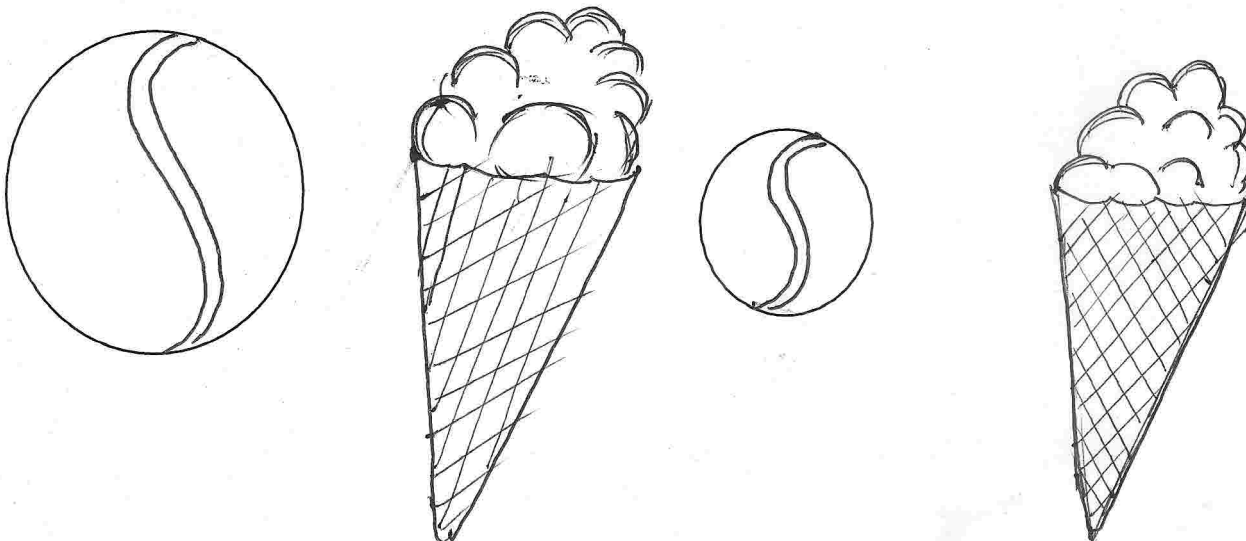
.....

.....

2. Fill in the missing number.



3. Colour the big ones.



DAV PUBLIC SCHOOL, NABINAGAR
HA for Summer Vacation (2018-19)



Sub :- Maths

Std.- UKG

1. Write number name.

9 :

10 :

12 :

15 :

19 :

24 :

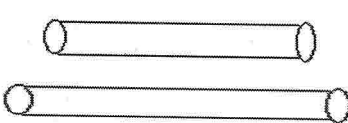
20 :

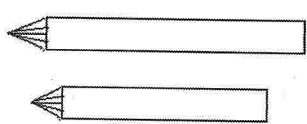
18 :

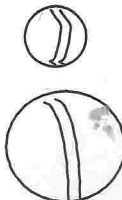
16 :

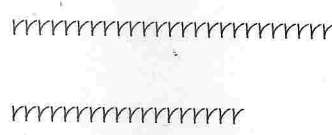
17 :

2. Tick (✓) in front of big ones.

(A) 

(C) 

(B) 

(D) 

3. What comes between

2 4

11 13

8 10

6 8

20 22

19 21

16 18

4. Write table of 2 and 3.

5. Project Work : Paste the photos of different shapes on a chart paper.

